

This user guide contains essential information in relation to safe use and maintenance and should be retained with the shower cradle for reference

ShowerCradle

Tilt in Space Range



User Guide

Paediatric
Small
Medium
Large

ShowerCradle

Tilt in Space Range

Contents

Safety considerations	1
Operating Instruction	2-3
Fabric Adjustment/Removal.....	4
Spare Parts & Accessories	5
Fitting Accessories.....	6
Cleaning & Maintenance	7
Technical Information.....	8
Warranty	9

These products have been designed to the highest standards with safety, strength and quality in mind.

Follow the recommendations in this guide to ensure maximum benefit from your shower commode cradle.

Your Chiltern Invadex shower cradle has been designed and tested to meet the highest standards of safety. Read the safety section of this guide prior to use, this is contained on page 1.

Safety Considerations



This section should be read and understood prior to use of the shower cradle. Failure to adhere to the below can lead to serious injury. Should clarification of any point be required, please call Chiltern Invadex on 01869 365500 prior to use.

- The cradle should be inspected upon delivery, any damage received in transit must be reported immediately to Chiltern Invadex.
- The use of this cradle is subject to an assessment of risk and suitability conducted by a competent person.
- The cradle should be inspected prior to each use and should be removed from use immediately should any sign of damage be observed and a service call arranged.
- This product is designed for use as a bathing aid, it is not intended to take the place of a wheelchair. As such, in order to maintain the safety of users and/or carers this product must not be used outdoors or to negotiate steps and stairs.
- Where the use of safety straps has been assessed and supplied, these must be used.
- Fabric fixing buckles should be locked at all times whilst the cradle is in use. This should be checked prior to each use.
- The safe working load of 130kg (20 stone) must not be exceeded.
- Check that castor fixings are secure prior to use.
- At all times when transferring onto the shower cradle and when the cradle is stationary, ensure brakes are in the on position.
- Where this shower cradle has been specified to meet the needs of a specific user, it should not be used by any other person without a full assessment of risk by a competent person.
- Ensure that handwheels, where present, are tight before using the cradle.
- Where this shower cradle has been custom made, it should only be used by the person for who it was assessed.
- Prior to tilting, ensure that hands and arms are inside the cradle.
- Gas rams should be tested prior to each use, and the cradle removed from use pending repair should a fault be identified.



Where there is any doubt as to the safety of the cradle it should be removed from use pending inspection by a competent person.

Operating Instruction

The Washington tilting shower cradle is simple to operate via a single rear mounted control lever fitted on the cross bar push handle. This operates the two stainless steel gas springs and ensures that it is light and easy to use. It has a safe working load of (130kgs) 20 stone.

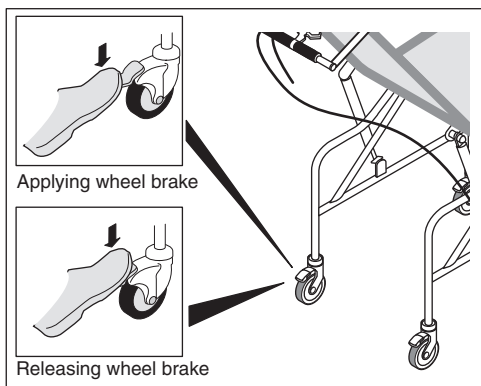
Castors

To ensure the safety of both the end user and the carers, the braked castors should be checked for damage prior to each use and applied;

- during transfer onto and out of the cradle
- at all times once the cradle has reached its destination
- prior to recline/raising of the cradle

Braked castors are indicated by a **GREY** locking lever.

The brakes are applied/released as shown below;



As an optional extra the cradle can be fitted with a directional lock castor, this is indicated by a **GREEN** locking lever.


When applied (in the same manner as shown above) it is important to note that the directional lock is not a brake it will lock the cradle into a straight steering position but will not prevent movement.

Please note: only one directional locking castor should be fitted to the cradle, should more than one be observed this should be reported to the service/maintenance contractor.

Tilt

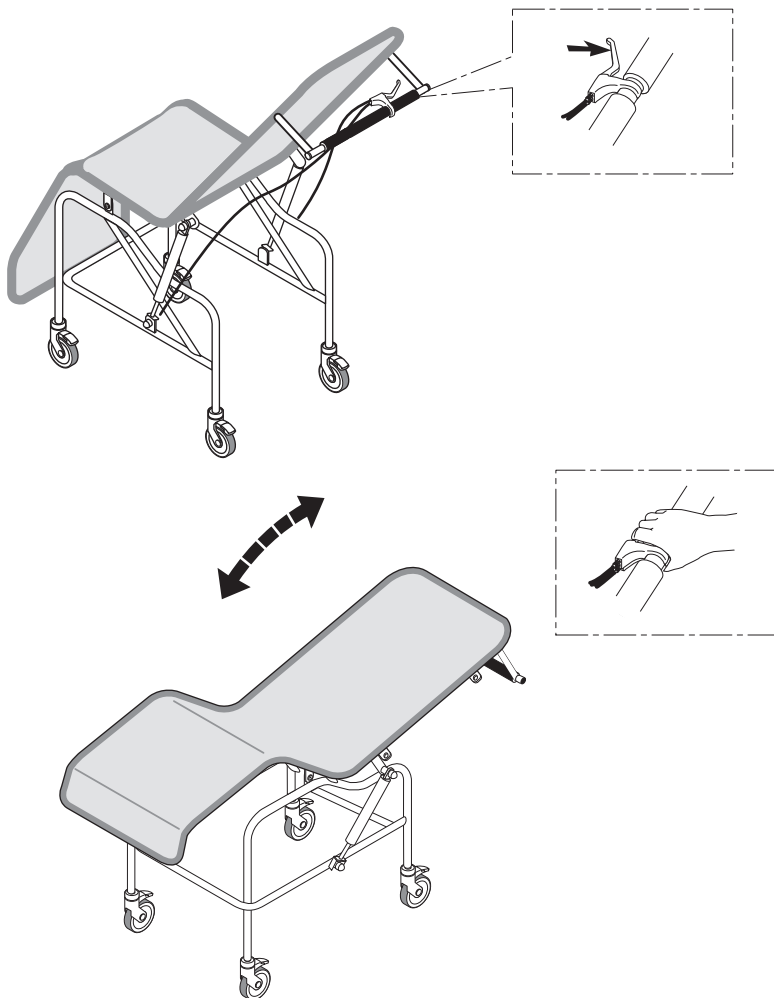
Once the brakes have been applied and the cradle has been transported to its final destination, the tilt can be applied to reach the required recline.

The cradle can be reclined using the easy to use handgrip in an infinite number of positions from 5 degrees until the cradle seat reaches 35 degrees.

 **Trap hazard:** It is important to ensure that hands and arms are inside the cradle prior to tilting. This removes the risk of entrapment when the cradle is tilted backwards.

To recline the cradle grip the lever firmly, as shown, and pull down on the handle until the required tilt is obtained. Release the lever and the cradle tilt will be locked into position.

The cradle is then raised by gripping the lever and gently pulling up on the cradle handle allowing a controlled return to the level seated position, as per the lowering operation it can be stopped at any point during its upwards travel.



Fabric adjustment/removal

The cradle fabric can be removed to allow hygienic laundering, see page 8 for laundering instruction. It can also be adjusted to create a hammock like seating effect.

Removal

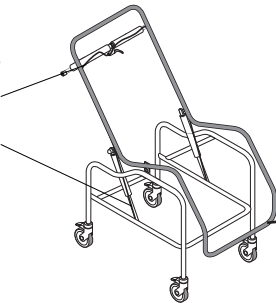
Fabrics are fastened securely to the frame using a number of E-clip buckles. To release the buckles press firmly on both sides of the clip.

Starting at the head of the cradle release the buckles. Once all of the buckles have been released the fabric will slide from the base of the frame.

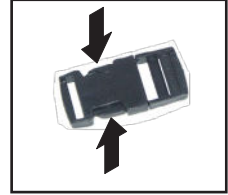
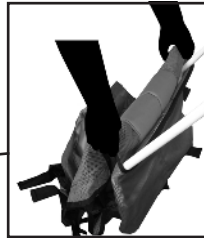
Replacement

1. To replace the fabric hold the fabric at the envelope section.
2. Slide the envelope onto the toe section of the frame.

Note: ensure that gas ram cables are outside of the buckles and straps



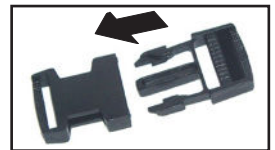
2.



1.



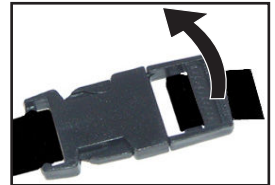
3. Lay the fabric onto the frame and secure the top buckle to hold the fabric in place.
4. Working down the length of the fabric secure each buckle, ensuring that all buckles are securely fastened and ensure that the fabric is centred on the frame.



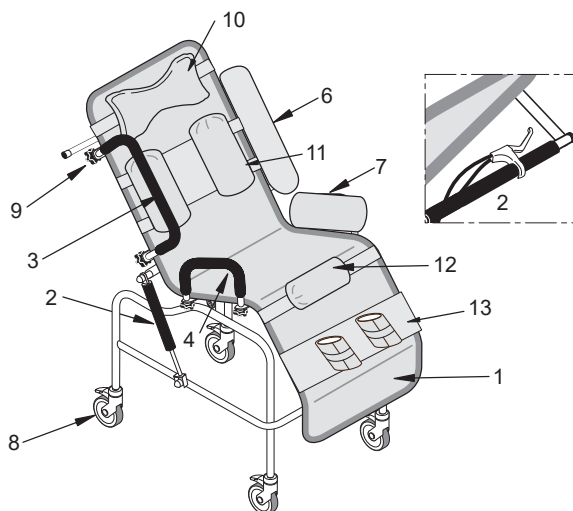
Fabric Tension Adjustment

To release the tension in the fabric creating a hammock effect
Slide fingers under the buckle and pull up. NOTE: it is important to ensure when loosening the fabric that the buckles and straps remain secure.

To tighten the fabric tension
Hold the buckle in one hand and pull firmly on the loose section of strap until the desired level of tension is achieved.



Parts & Accessories Guide



	Description	Part number
1	*Cradle fabric - Paediatric (orange tapes)	CH0823P
1	*Cradle fabric - small (red tapes)	CH0823S
1	*Cradle fabric - medium (yellow tapes)	CH0823M
1	*Cradle fabric - large (green tapes)	CH0823L
2	+Gas strut, lever & cable assembly (pair)	Call for details
3	Side rail - long	ACH5010
4	Side rail - short	ACH5011
5	Side rail foam	Call for details
6	Side rail envelope- long	CH0528E
7	Side rail envelope - short	CH0529E
8	+Braked castor	Call for details
8	+Directional lock castor	Call for details
9	Handwheel	CH0208
10	Head cushion	CH0530
11	Thoracic support rolls	CH0531
12	Knee cushion	CH0532
13	Ankle huggers	CH0543
	Waist strap - Velcro	203-00046
	Waist strap - buckle	203-00014

* Please note should your fabric have a bathing aperture or black edging tapes, this is made to special request, please contact customer services on 01869 365500 Opt 1.

To ensure user safety, items marked + must be installed by a competent engineer.

Fitting Accessories

Waist straps, leg straps & support cushions

In order to facilitate the fitting of accessories in the correct position to suit the user, a number of loops have been included on the rear of each cradle fabric to allow height adjustment.

This also allows the accessories to be added to an existing cradle as required without the need for a new special fabric.

To fit accessories, select the desired location and feed the ends of the retaining strap through the appropriate loop ensuring that both sides of the strap pass through corresponding loops.

Fasten the E-clip buckle and adjust the tension in the strap to ensure that the item is secured into position. (see page 4 for instruction on securing buckles and adjusting strap tension.)



Side Rails

Replacement

In order to replace existing rails, remove the handwheels (1) securing the existing rail and replace with the new rail. Ensure that all handwheels are in place and are securely tightened prior to use.

Adding rails

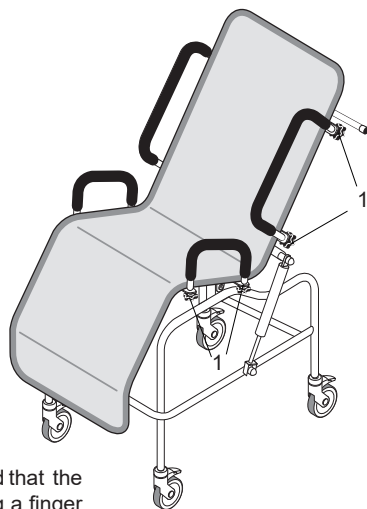
The securing points for torso and leg support rails are provided on each cradle. This allows for fitting of the rails at any point during its use.

Where rails are not required at the point of purchase the securing points are filled with a button screw.

Remove the screw and secure the side rails in place using the handwheels supplied. Ensure that all handwheels are in place and are securely tightened prior to use.

Removing rails

Side rails can be removed at any point, however, it is recommended that the securing points are filled to prevent the securing points becoming a finger trap hazard. Button screws can be obtained from Chiltern for this purpose part number CH0125.



Cleaning and Maintenance

It is recommended that your shower cradle is serviced at least annually by Chiltern Invadex or an authorised, competent service agent. Where the chair is maintained by a loan store, the shower cradle should be fully serviced, prior to re-issue.

Cradles should be inspected upon receipt to ensure that there is no transit damage. Any damage should be reported to the equipment provider and the cradle should not be used until the damage has been rectified.

Regularly inspect all parts of the cradle for defects. Security of fabric, wheels and tilting mechanism should be checked prior to each use. Where defects are identified the cradle should be removed from use pending repair. Do not grease or oil any part of the cradle.

Cleaning

Clean with a damp soapy cloth and rinse well with clean water. Disinfectants may be used in dilution as specified by their manufacturers.

Chlorine releasing agents – levels of 1 – 10000 parts per million should pose no problems as long as the framework does not endure long soakings at the higher concentrations. Rinse well with clean water. These include Haz-Tabs and other disinfectants commonly used in hospital infection control programmes.

It is recommended that the fabric be removed prior to disinfection.

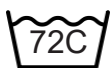
Keep the castors free from limescale, soap residue and hair by cleaning after use in the shower.

Autoclave

The framework can be cleaned using an autoclave, however the fabric and tilting assembly must be removed.

Fabric

Cradle fabrics can be laundered. The below instruction should be followed.



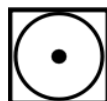
Machine washable upto
72 degrees C



Can be ironed using a low
setting



Do not dry clean



Can be tumble dried on a
low setting



Do not bleach

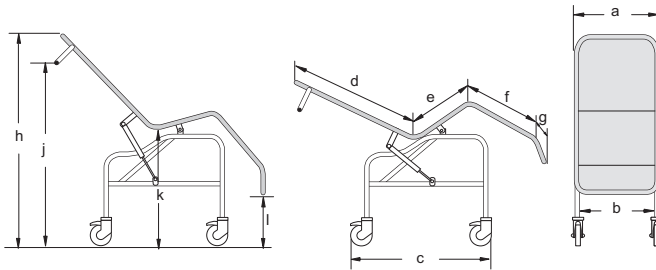
The use of non-biological washing powders is not recommended due to the long term bleaching effects.

Buckles should be fastened prior to washing and accessories removed. Do not dry on steam pipes or heaters.

Where a cradle is to be re-issued, replacement fabrics are available, refer to page 5.

Technical Information

Dimensions



Dimension	Paediatric	Small	Medium	Large
a	380	500	500	575
b	495	495	495	525
c	780	780	780	780
d	550	620	750	900
e	280	280	350	400
f	270	310	480	570
g	150	150	150	150
h	1005	1125	1210	1300
j	885	940	1090	1125
k	650	660	650	640
l	410	300	220	200

Warranty

Your Chiltern Invadex Shower Cradle carries a 12 month warranty from the date of purchase, subject to the following conditions;

1. Should you experience any problems with our workmanship or materials within the first 12 month period please contact your point of purchase.
2. Repairs made during the warranty period will be carried out free of charge, provided the product has been used strictly in accordance with the guidelines set out in this user guide.
3. Our warranty does not cover replacements, adjustments or repairs which may be required as a result of normal wear and tear, wilful or accidental damage, misuse, neglect or any other cause which is beyond the control of Chiltern Invadex.
4. Modifications and repairs made to this product by unauthorised persons will render the warranty void.
5. Only parts manufactured or approved by Chiltern Invadex shall be used to repair this product. Use of unauthorised parts will invalidate all warranties and remove all liability from Chiltern Invadex for the safety of this product.
6. Chiltern Invadex shall in no event be liable for any damages, costs or expenses arising from any claim made under this warranty (save for any legal liability of Chiltern Invadex for death or personal injury resulting from the company's negligence in respect of its products).
7. This warranty does not affect your statutory consumer rights.

The below space can be used to store details of your maintenance contractor, if the equipment has been provided by a third party for example the Local Authority loan store, this information will be available from them.

Contractor name: _____

Contact number: _____

Account number: _____

Serial number: _____

ShowerCradle

Tilt in Space Range



Chiltern Invadex (UK) Limited
Unit 6C
Thorpe Drive
Banbury
OX16 4UZ
UK



+44 (0)1869 365500



sales@chilterninvadex.co.uk



www.chilterninvadex.co.uk

To request a copy of this guide in large print
please contact
customer services on 01869 365500 opt 1 or
email: sales@chilterninvadex.co.uk



FM553189