

Washington Tilt in Space Cradle

The Washington Tilt in Space Shower Cradle was introduced in response to the success of the AquaMaster Tilt in Space Shower Chair and the ongoing popularity of our Washington Shower Cradle. The Washington Cradle was introduced in 2001 and was designed specifically for users with multiple sclerosis, cerebral palsy, motor neurone disease and clients with fixed hips, legs or contractures. It is also particularly beneficial for those experiencing involuntary movements and rapidly deteriorating body conditions.

This level of support has now been combined with the benefits of a tilt in space shower chair to create a comfortable and secure bathing solution which allows simple adjustment of the fabric creating a hammock effect to support the user as required. The buckled fabric is removable to allow for hygienic laundering and includes coloured edging strips to provide a clear indication of size. Red = Small, Yellow = Medium and Green = large.

The tilting cradle is available in three standard sizes; small, medium and large. Each is complemented by a range of accessories and options which have been carefully developed to enable specification of a safe, individual bathing aid.

Where additional customisation is required, our experienced surveyors can assist in the production of a bespoke user specification for manufacture by our in-house fabrication team.

The photograph below shows the cradle with an optional toileting aperture, which is available in various sizes to suit the user, and enveloped side rails which can also be added to the leg section for added security.

The cradle provides a tilting angle of between 5 and 35 degrees.

It is provided with an electrostatically coated stainless steel frame which provides a durable, corrosion resistant finish and a dual gas spring assembly which allows smooth operation via a single rear mounted control handle.

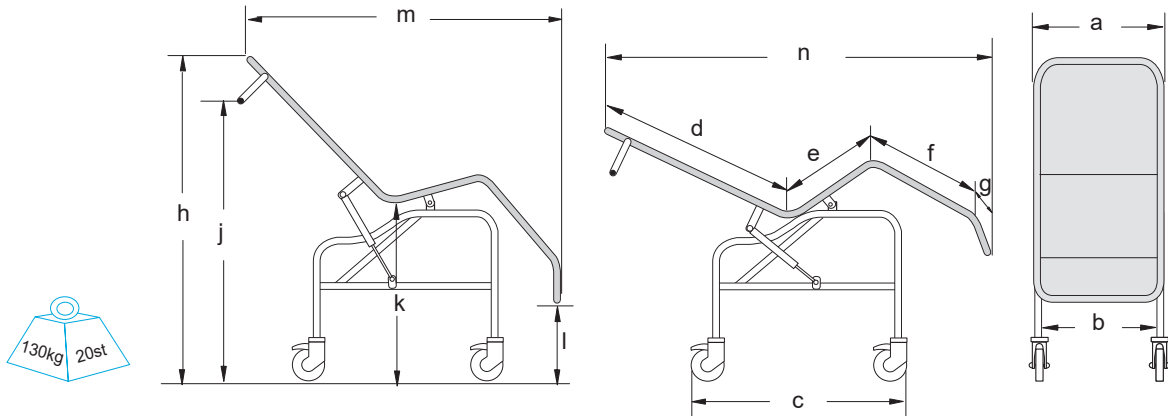
Side rails are available as an accessory to provide additional security where required, these can be combined with a range of lap straps, head and thoracic supports to produce a safe and comfortable bathing experience.



Medium cradle with optional aperture and enveloped side rails



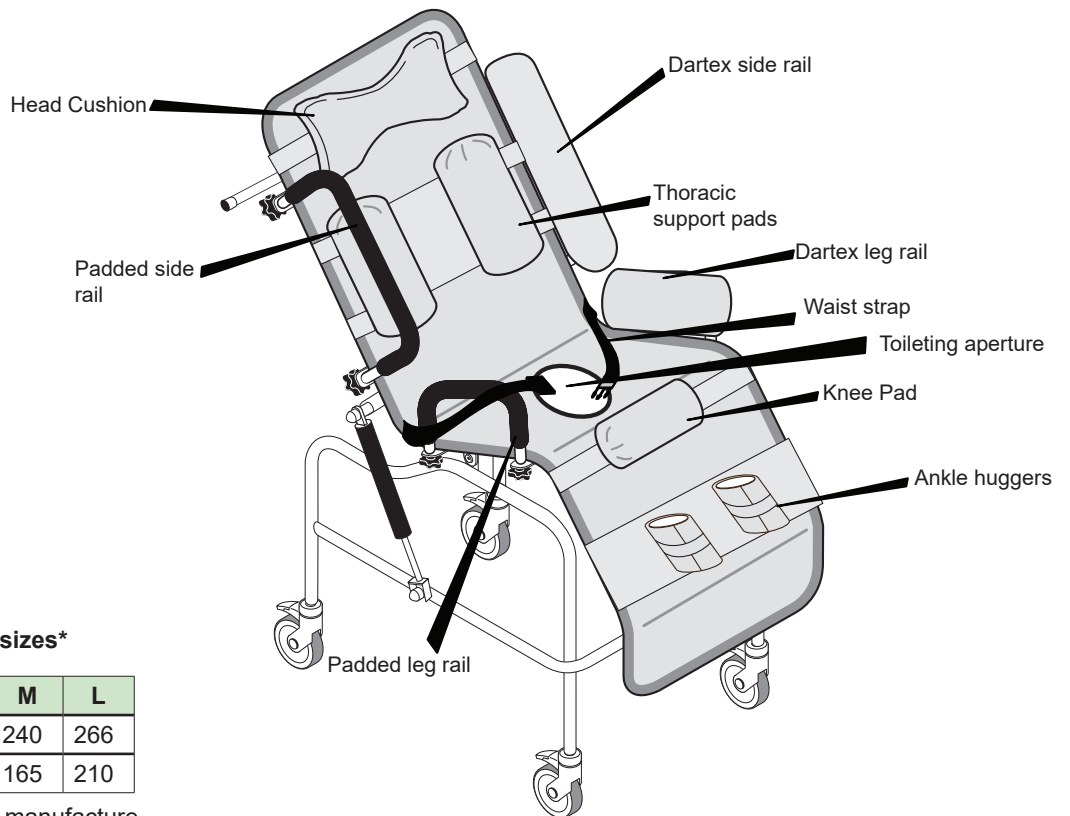
Reclined cradle shown with optional head cushion, head and leg rails.



	a	b	c	d	e	f	g	h	j	k	l	m	n
Small	500	510	780	620	280	400	150	1170	1020	660	300	820	1210
Medium	500	510	780	750	350	480	150	1260	1110	650	200	1120	1430
Large	575	575	980	900	400	570	150	1350	1200	640	150	1440	1740

Accessories

The cradle has been carefully designed to ensure that each of the accessories can be added at a later date, as required, without the need to replace either fabric or frame (excluding toileting aperture).



Optional toileting aperture sizes*

	S	M	L
a	197	240	266
b	120	165	210

* must be requested at time of manufacture.
Special sizes can be produced

